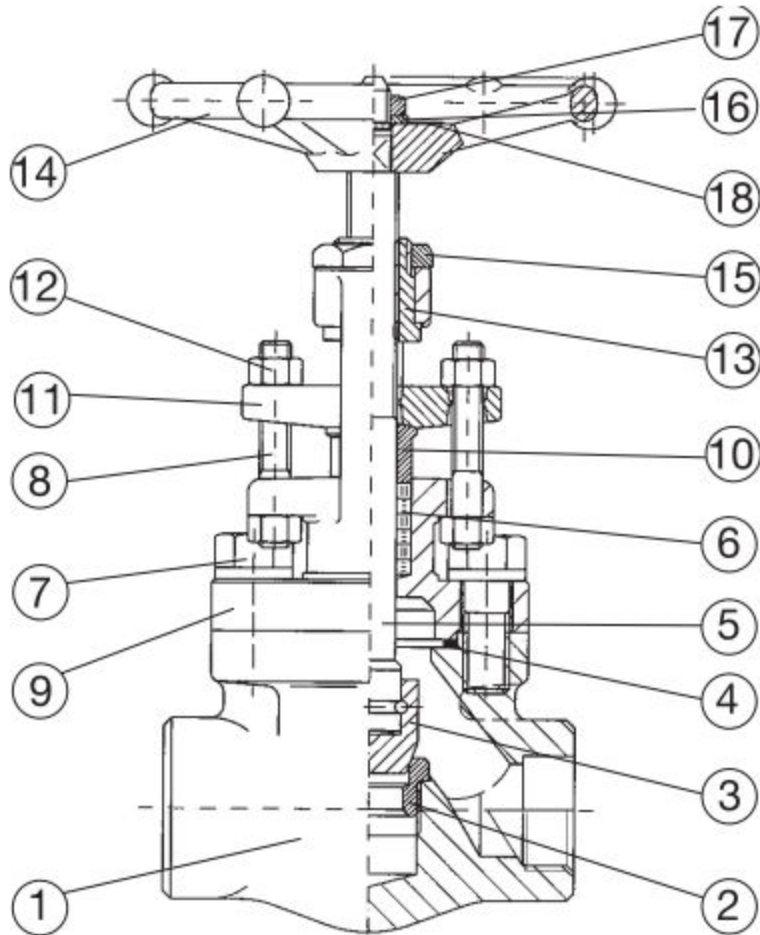


OSNOVNA KONSTRUKCIJA

EN standard

KOVANI RAVNO ZAPORNI VENTILI



Globe Valve

1	Body	ASTM A105
2	Body Ring	ASTM A479 410
3	Disc	ASTM A479 410
4	Gasket	SWG AISI 304 or 316 + Graphite
5	Stem	ASTM A479 410
6	Packing	Graphite
7	B/B Bolt	ASTM A193 Gr. B7
8	Gland Bolt	ASTM A193 Gr. B8
9	Bonnet	ASTM A105
10	Gland	AISI 316
11	Gland Flange	ASTM A105
12	Gland Bolt Nut	ASTM A194 Gr. 2H
13	Stem Bushing	AISI 420
14	Handwheel	Carbon Steel
15	Yoke Nut	Steel
16	Washer	Steel
17	Handwheel Nut	Steel
18	Name Plate	Aluminium